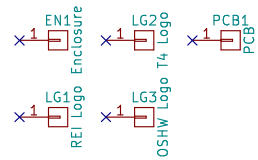


VERSION NUMBER



PCB design by T4 Sustainability/RE-Innovation  
**T4 Sustainability**

Sheet: /  
File: oBeMs\_Pulse\_PCB.sch

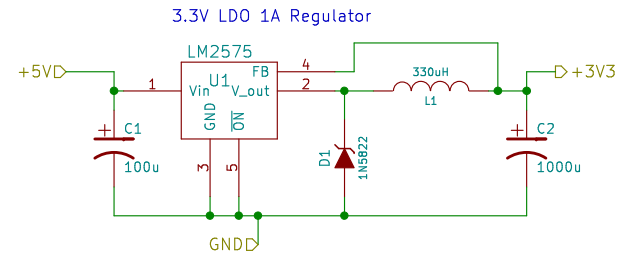
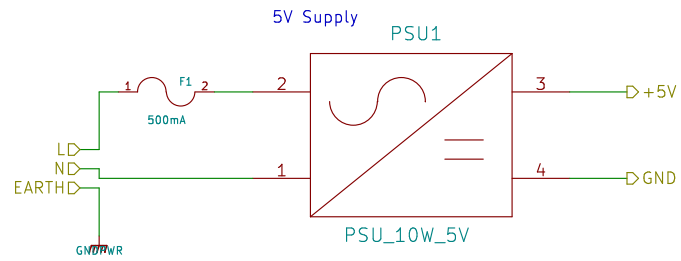
**Title: oBeMS Open Interface Board 0001**

Size: A4 Date: 2015-12-23

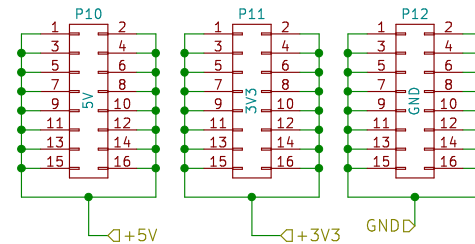
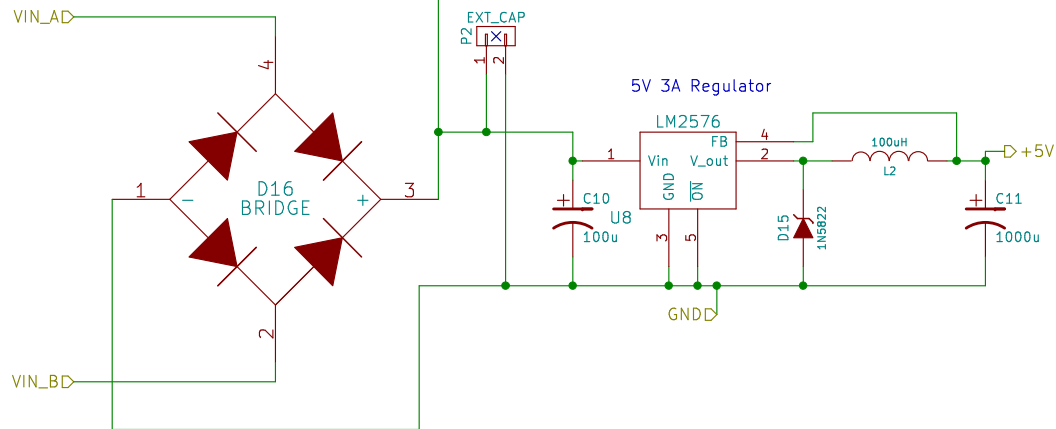
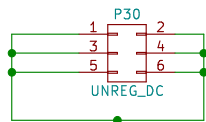
Rev: 6

KiCad E.D.A. kicad 4.0.2-stable

Id: 1/10



Distribution Blocks for Power



PCB design by T4 Sustainability/RE-Innovation

**T4 Sustainability**

Sheet: /PowerSupply/

File: PSU.sch

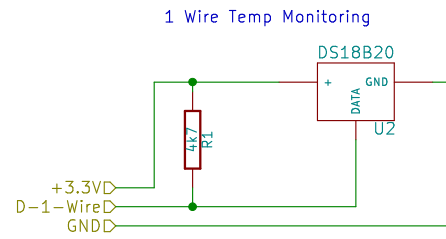
**Title: oBeMS Open Interface Board 0001**

Size: A4 Date: 2015-12-23

Rev: 6

KiCad E.D.A. kicad 4.0.2-stable

Id: 2/10



PCB design by T4 Sustainability/RE-Innovation

**T4 Sustainability**

Sheet: /TemperatureSensor/

File: TemperatureSensor.sch

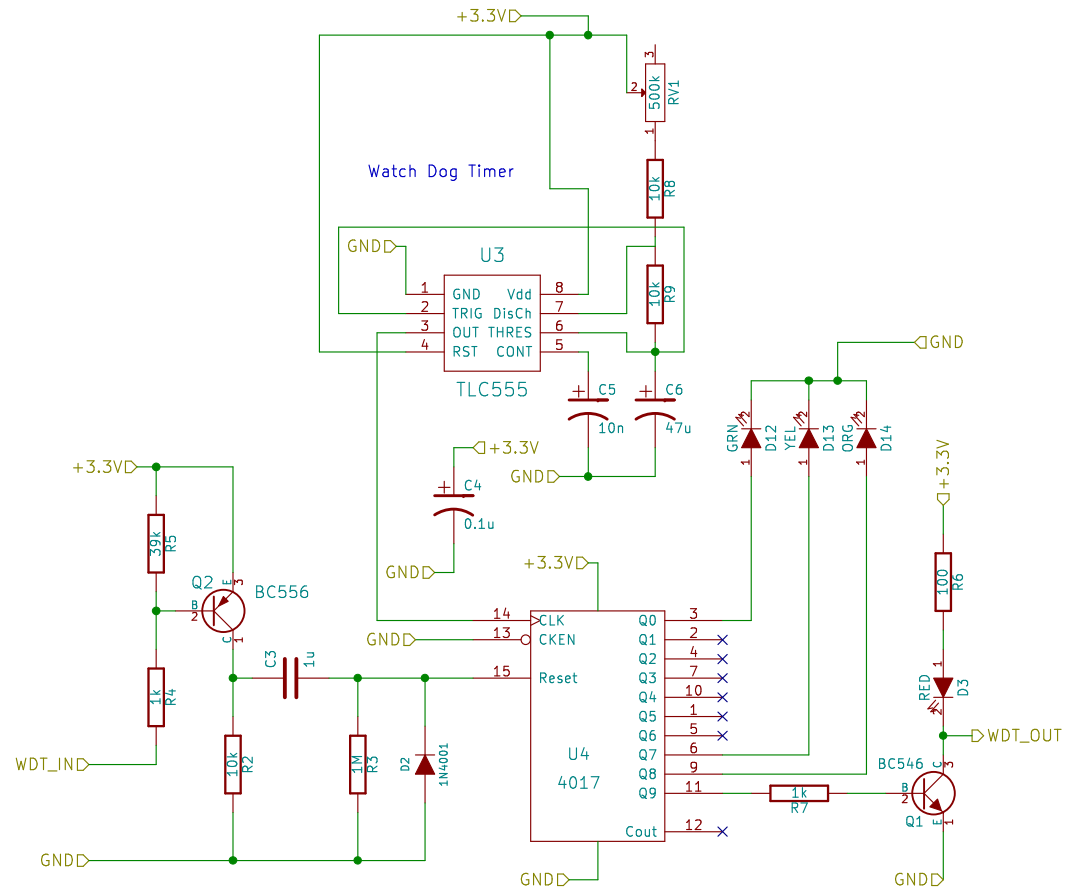
**Title: oBeMS Open Interface Board 0001**

Size: A4 Date: 2015-12-23

Rev: 6

KiCad E.D.A. kicad 4.0.2-stable

Id: 3/10



PCB design by T4 Sustainability/RE-Innovation

**T4 Sustainability**

Sheet: /Watch Dog Timer/

File: WDT.sch

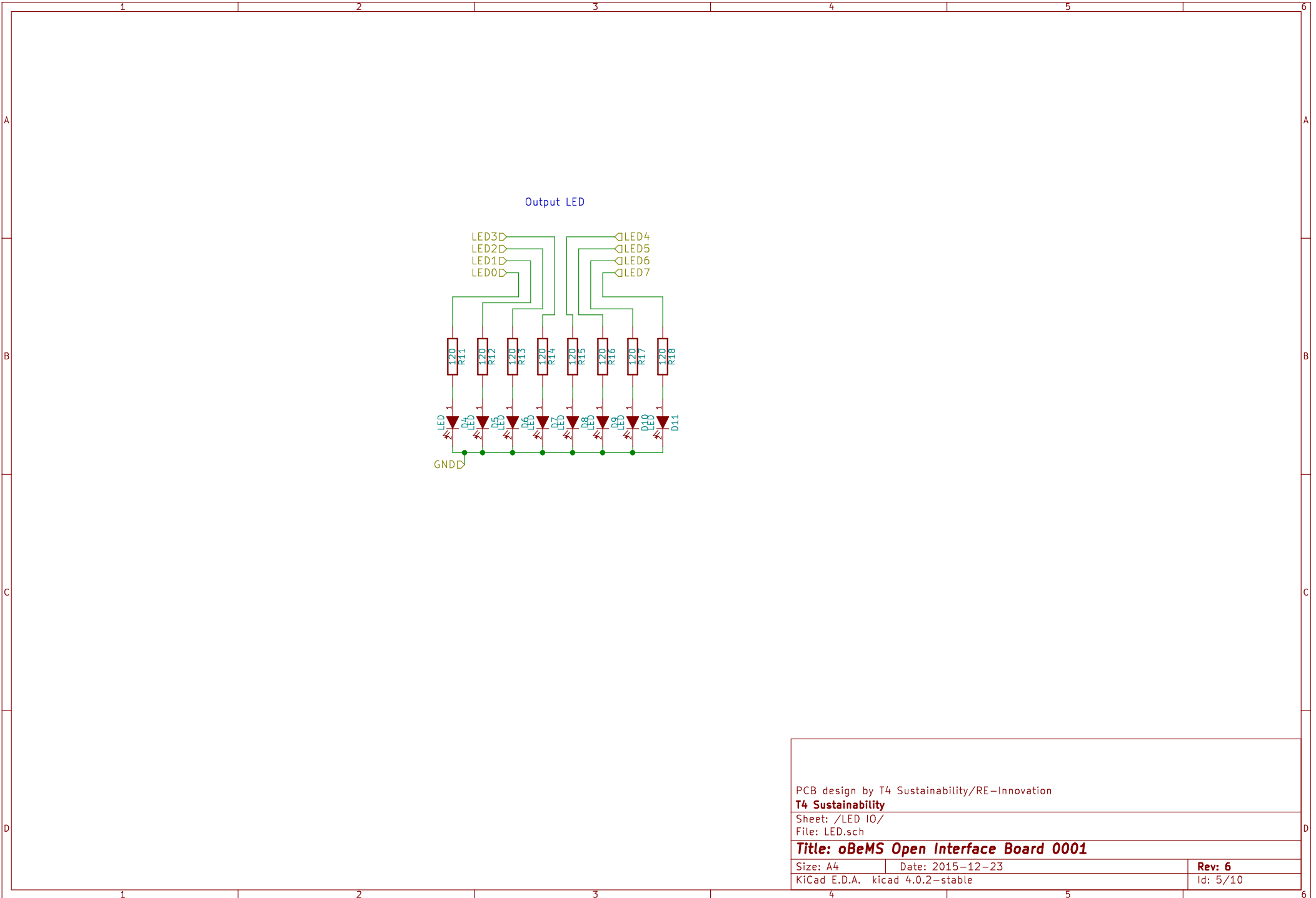
**Title: oBeMS Open Interface Board 0001**

Size: A4 Date: 2015-12-23

KiCad E.D.A. kicad 4.0.2-stable

**Rev: 6**

Id: 4/10



PCB design by T4 Sustainability/RE-Innovation

**T4 Sustainability**

Sheet: /LED 10/

File: LED.sch

**Title: oBeMS Open Interface Board 0001**

Size: A4

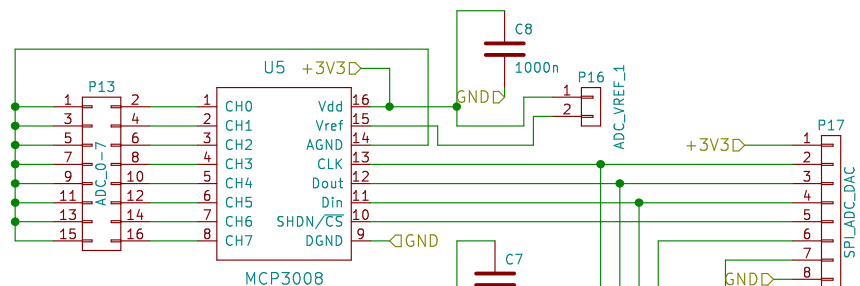
Date: 2015-12-23

**Rev: 6**

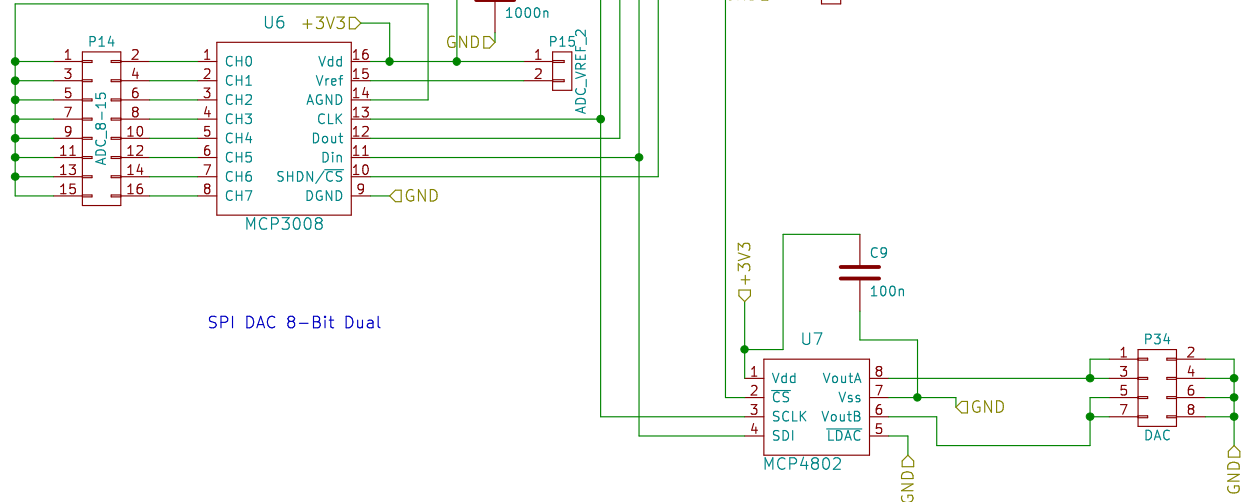
KiCad E.D.A. kicad 4.0.2-stable

Id: 5/10

SPI ADC 8 Channel



SPI DAC 8-Bit Dual



PCB design by T4 Sustainability/RE-Innovation

**T4 Sustainability**

Sheet: /ADC SPI x2 + DAC/

File: ADC\_DAC.sch

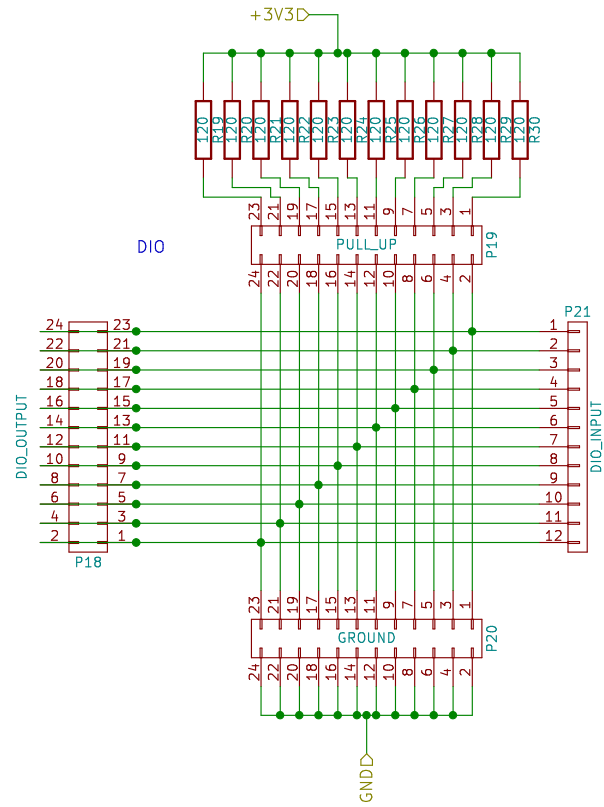
**Title: oBeMS Open Interface Board 0001**

Size: A4 Date: 2015-12-23

KiCad E.D.A. kicad 4.0.2-stable

Rev: 6

Id: 6/10



PCB design by T4 Sustainability/RE-Innovation

**T4 Sustainability**

Sheet: /DIGITAL IO 1-6/

File: IO.sch

**Title: oBeMS Open Interface Board 0001**

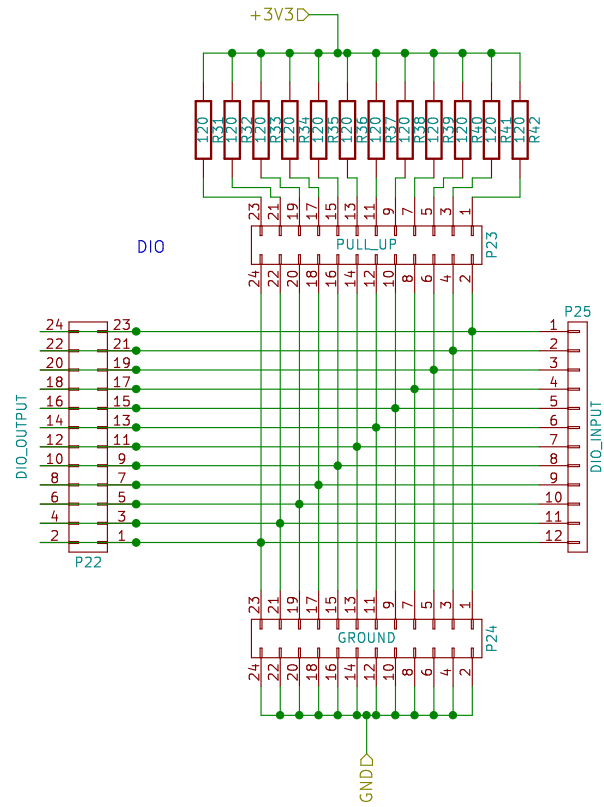
Size: A4

Date: 2015-12-23

**Rev: 6**

KiCad E.D.A. kicad 4.0.2-stable

Id: 7/10



PCB design by T4 Sustainability/RE-Innovation

**T4 Sustainability**

Sheet: /DIGITAL IO 7-12/

File: IO.sch

**Title: oBeMS Open Interface Board 0001**

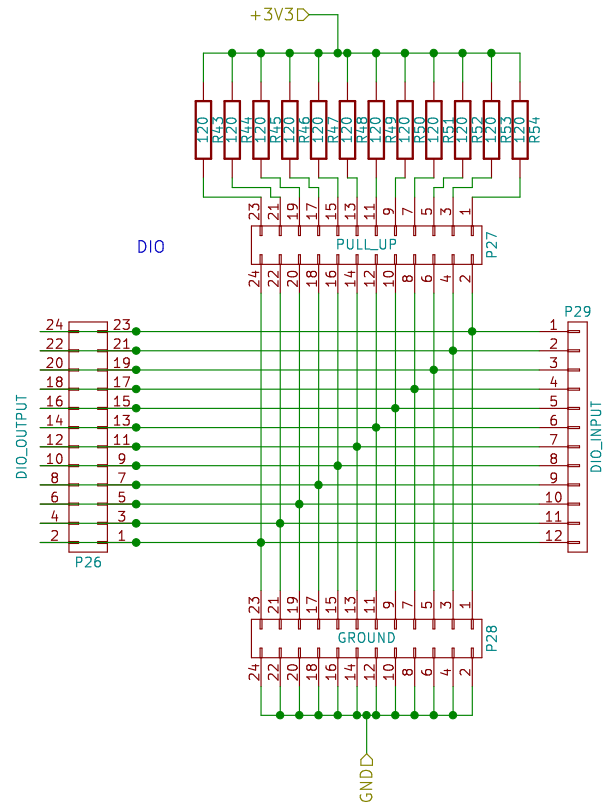
Size: A4 Date: 2015-12-23

Rev: 6

KiCad E.D.A. kicad 4.0.2-stable

Id: 8/10





PCB design by T4 Sustainability/RE-Innovation

**T4 Sustainability**

Sheet: /DIGITAL IO 13-18/

File: IO.sch

**Title: oBeMS Open Interface Board 0001**

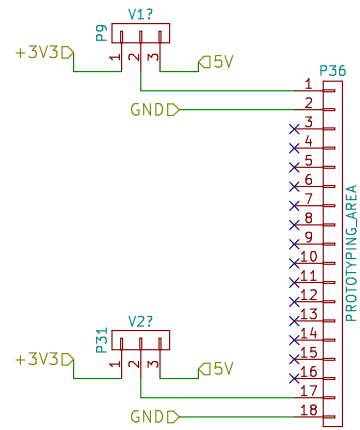
Size: A4

Date: 2015-12-23

Rev: 6

KiCad E.D.A. kicad 4.0.2-stable

Id: 9/10



PCB design by T4 Sustainability/RE-Innovation

**T4 Sustainability**

Sheet: /Prototyping Area/

File: PrototypeArea.sch

**Title: oBeMS Open Interface Board 0001**

Size: A4

Date: 2015-12-23

Rev: 6

KiCad E.D.A. kicad 4.0.2-stable

Id: 10/10