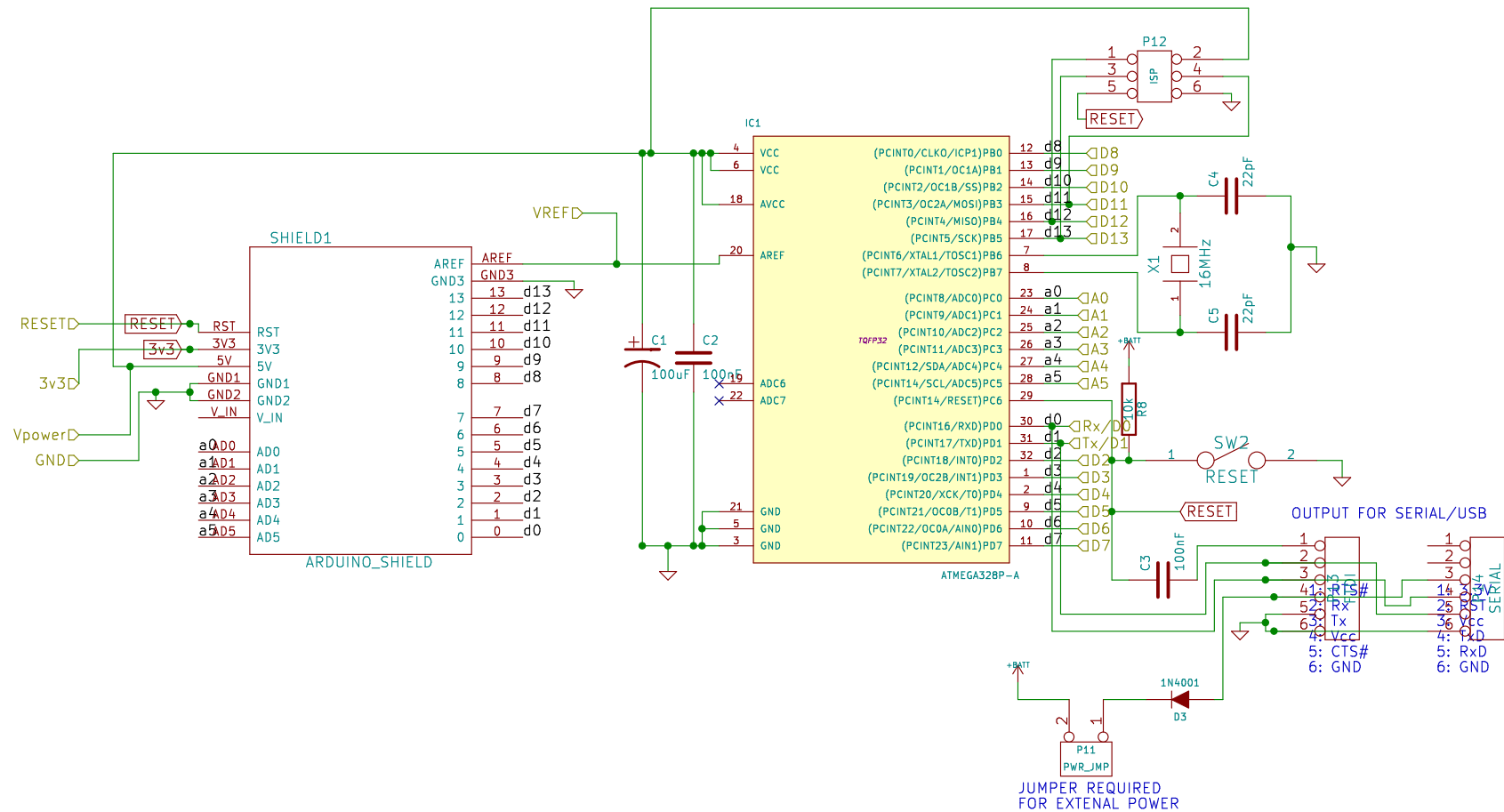


Sheet: /SD Card/
 File: SD_card.sch

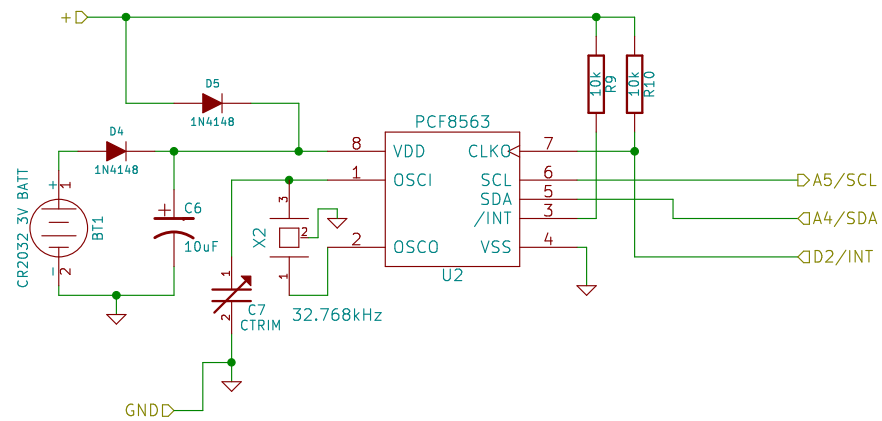
Title:

Size: A4 Date: 25 dec 2014
 KiCad E.D.A. kicad 4.0.2-stable

Rev:
 Id: 2/6



Sheet: /Arduino Uno/		File: ArduinoUno.sch	
Title:			
Size: A4	Date: 25 dec 2014		Rev:
KiCad E.D.A. kicad 4.0.2-stable	Id: 3/6		

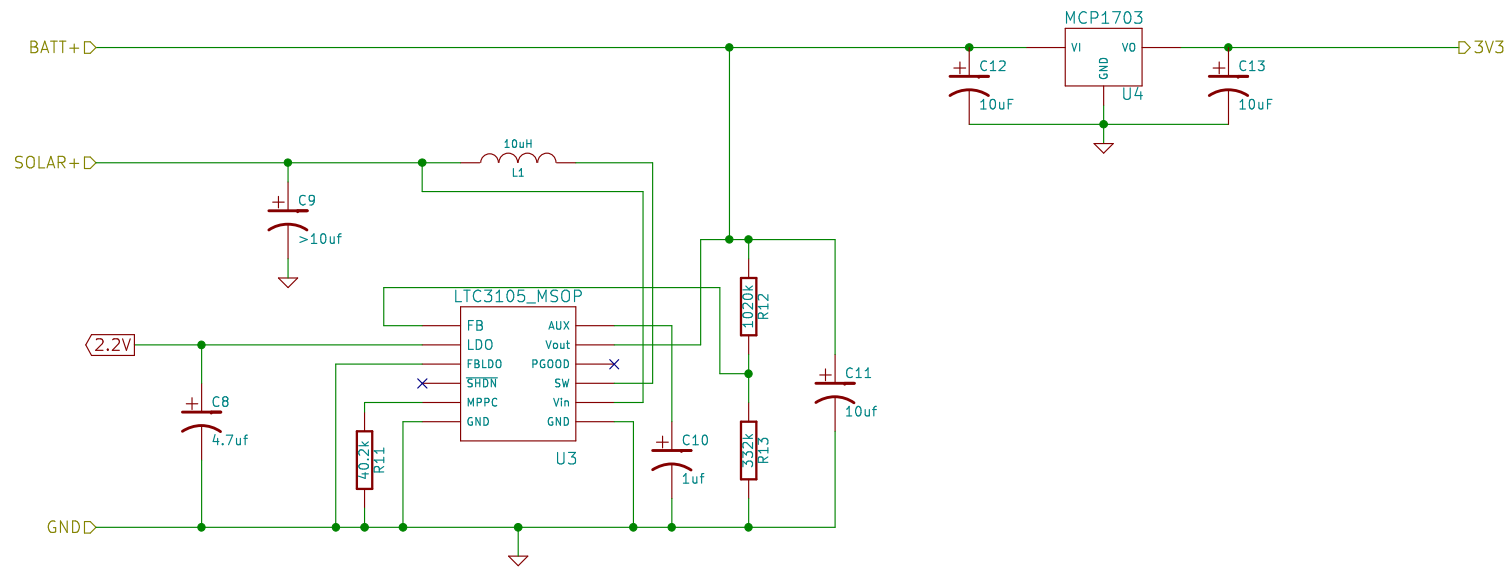


Sheet: /RealTime_Clock/
 File: RealTimeClock.sch

Title:

Size: A4 Date: 25 dec 2014
 KiCad E.D.A. kicad 4.0.2-stable

Rev:
 Id: 4/6

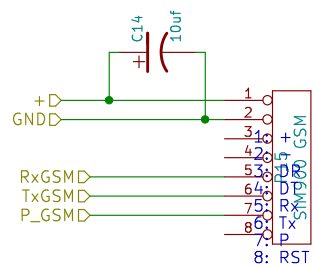


Sheet: /Power Supply/
File: SolarCharger.sch

Title:

Size: A4 Date: 25 dec 2014
KiCad E.D.A. kicad 4.0.2-stable

Rev:
Id: 5/6



Sheet: /GSM Module/
 File: GSMmodule.sch

Title:

Size: A4
 KiCad E.D.A. kicad 4.0.2-stable

Date: 25 dec 2014

Rev:
 Id: 6/6