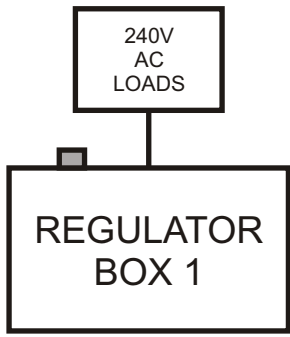
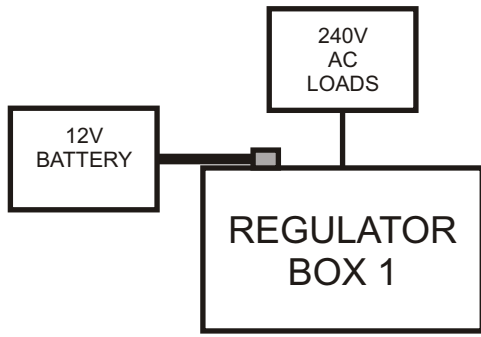


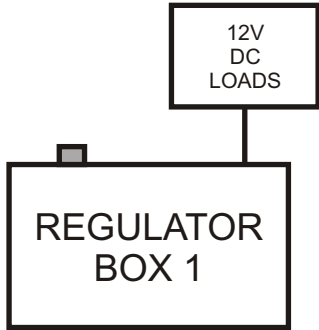
**System Configurations**  
 For: Magnificent Revolution  
 By: Matthew Little  
 matt@re-innovation.co.uk  
 07823325366  
 Date: 25th September 2011  
 Version: 1.1



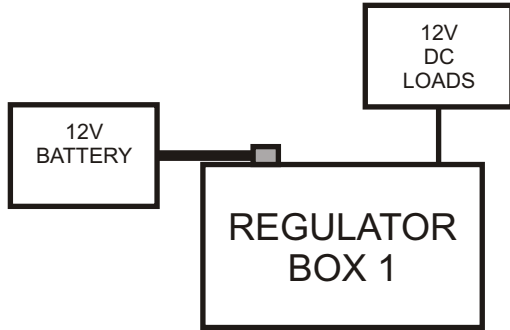
**4 bikes, AC Loads**



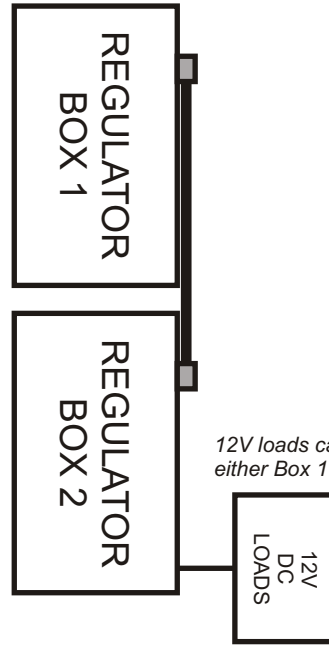
**4 bikes, AC Loads, Battery**



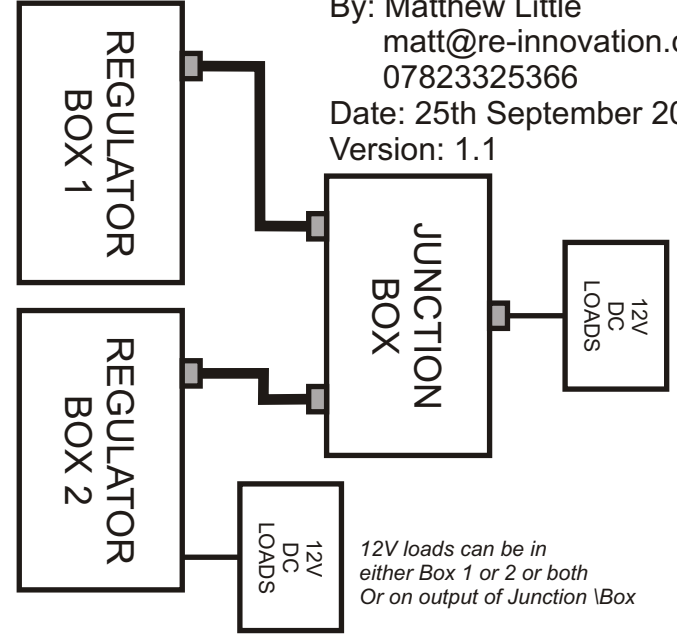
**4 bikes, DC Loads**



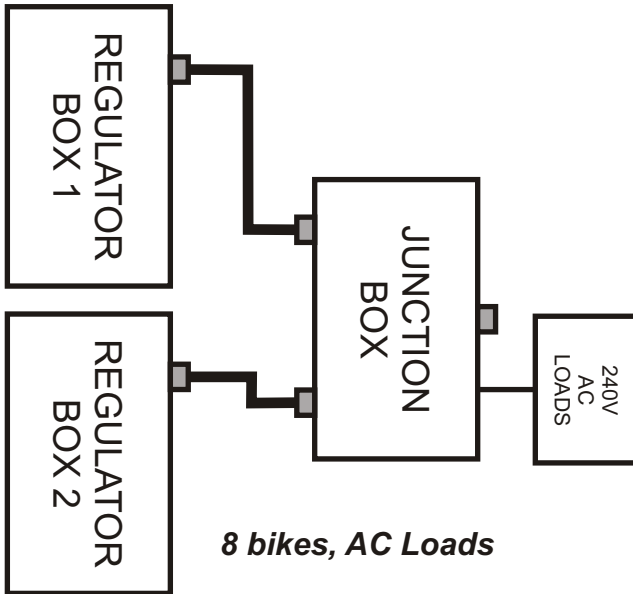
**4 bikes, DC Loads, Battery**



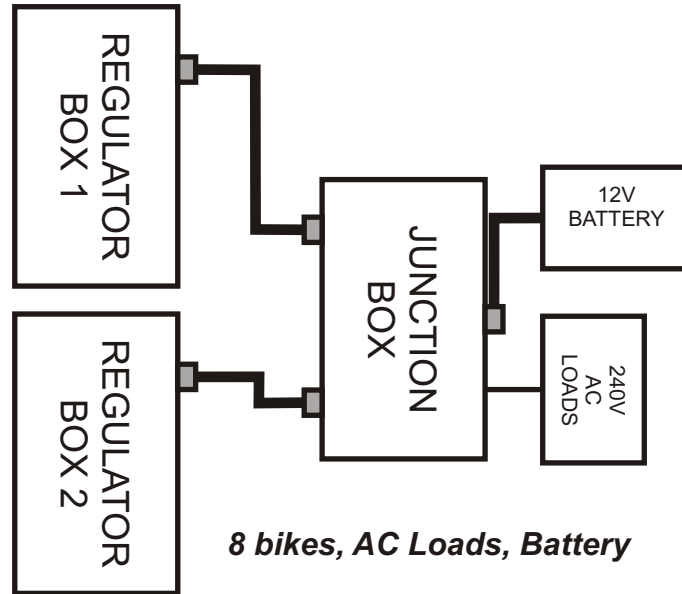
**8 bikes, DC Loads, Version 1**



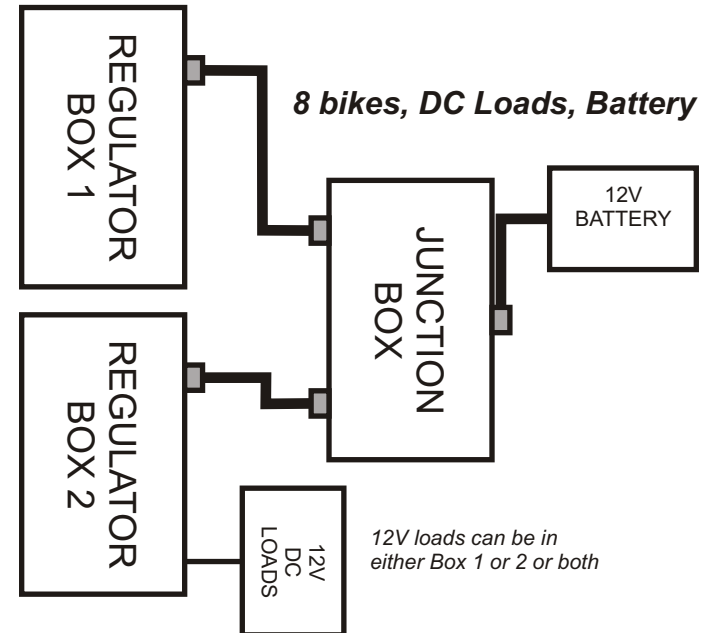
**8 bikes, DC Loads, Version 2**



**8 bikes, AC Loads**



**8 bikes, AC Loads, Battery**



**8 bikes, DC Loads, Battery**